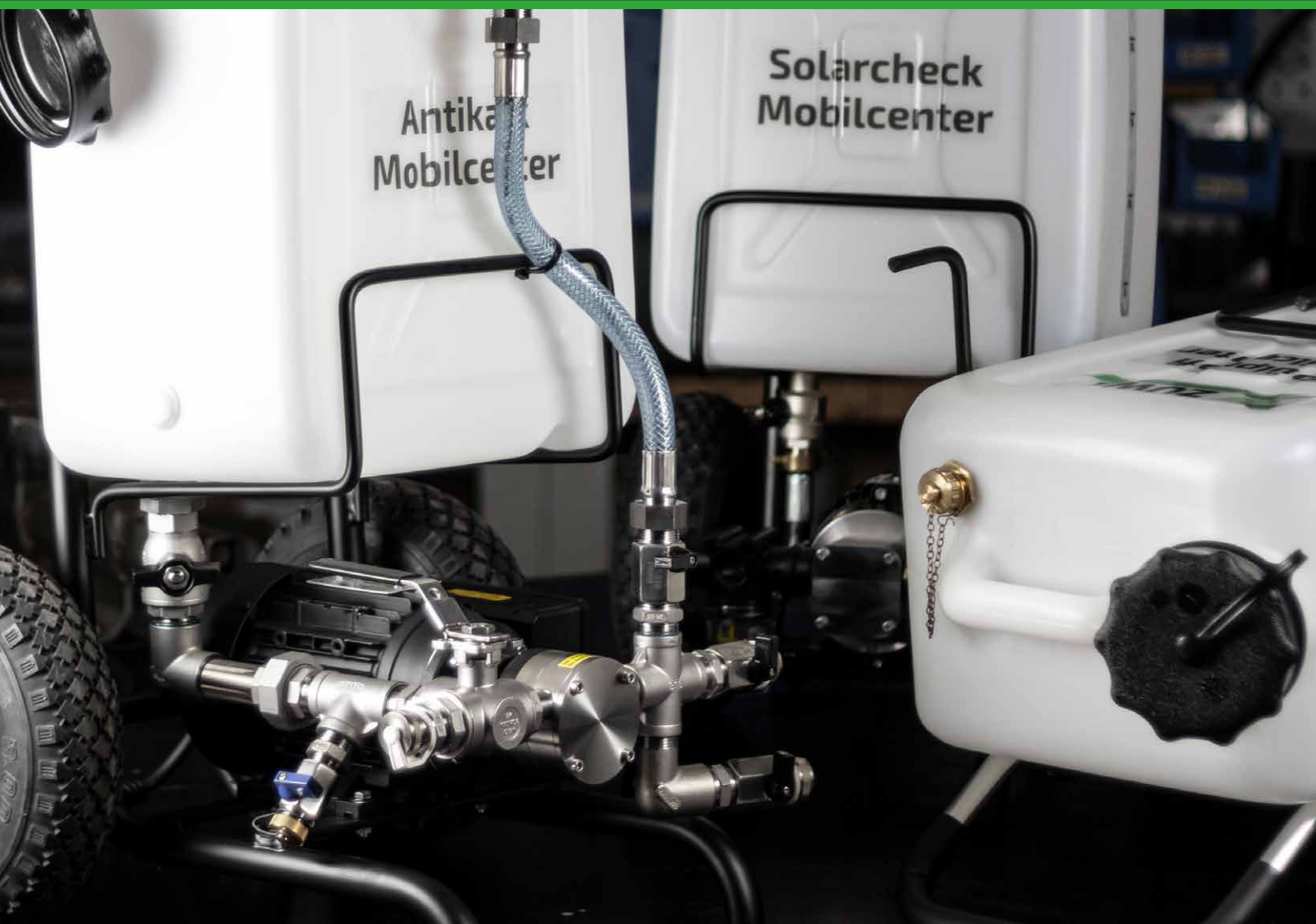


FILLING AND FLUSHING STATIONS FOR MOBILE USE



GENERAL INFORMATION ON FILLING AND FLUSHING STATIONS

SOLARCHECK MOBILCENTER

Flushing, filling with heat-transfer fluid, and venting solar systems, all in one single step. The latest versions of ZUWA solar filling stations for flushing and filling of solar thermal plants are small, easy to transport and fit upright in the trunk of a car. Sophisticated design and the low dead weight make the Solarcheck Mobilecenter the ideal tool for mobile use at the customer's site.

For more than 20 years, the Solarcheck Mobilcenter has proven its worth in heating and plant engineering and has already made it the world market leader in this segment.

Transport and professional handling are very easy thanks to the high-performance self-priming pump, the sturdy trolley with big pneumatic tires, the telescopic height adjustable handle, and the removable canister.

APPLICATIONS:

/ Flushing, filling and venting of solar thermal systems



FLUSH PRO

The FLUSH PRO is a practical flushing system for professional use. In addition to filling larger solar systems with multiple collectors, geothermal ground collectors, geothermal systems, heating systems such as underfloor heating, or central heating, it is also possible to flush and vent the piping system. The dry self-priming flexible impeller pump is the center piece of the unit.

By creating a high displacement volume, air inclusions are removed from the collector's circuit. The flow rate is 60 to 90 liters per minute, depending on the version chosen, the discharge pressure is 5 bar max.

APPLICATIONS:

/ Flushing, filling and venting of large solar systems, ground collectors and heating systems

DESCAL MOBILCENTER

The Descal Mobilcenter is a descaling device for the SHK professional for rinsing hot water tanks and heat exchangers with descaling agents. Acid-resistant components make the Descal Mobilcenter the first choice when working with aggressive acidic decalcifiers.

APPLICATIONS:

/ Descaling and flushing of hot water tanks and heat exchangers
/ Clean and disinfect
/ Removal of lime deposits, biofilm/microorganisms, corrosion and oil as well as organic deposits (glycol)



MOBILE SERVICE CENTER

Mobile Service Center to empty and pour clean and used fluids. Easy handling: No need to heave around heavy canisters, no spilling of fluid.

APPLICATIONS:

- / Empty and refill clean and soiled fluids
- / Removal of used oil from motors, gear boxes and hydraulic systems
- / Removal of cooling lubricants and drilling water from CNC-machines
- / Routine maintenance of machinery



CLEANING MOBILCENTER

In different industrial applications many types of media are used. Among them are process water, glycol-based coolants, and cooling lubricants. The efficiency of the machinery in question might deteriorate over the years, which often happens due to normal ageing processes, or, and this is mostly reversible, because of deposits or particles which block lines, valves and such. Sedimentary deposits, accumulation of mud and corrosion can block the systems up to when they stop working completely. By making sure the fluids used are filtered and the relevant machinery is flushed and cleaned, regularly disruptive downtimes can be avoided.

APPLICATIONS:

- / Filtration, rinsing and purification of contaminated industrial liquids

DETAILED IMAGES



Shut-off valve made of metal, positioned shockproof



All-terrain pneumatic tires



Large inlet



Fill level indicator



Telescopic handle with soft grip



Return hose connection in 90° angle



Pump with filter



Carrying handle

SOLARCHECK MOBILCENTER UNISTAR FOR REFILLS & SERVICE

PUMP UNISTAR 2000-A

/ Dry self-priming flexible impeller pump with glycol resistant impeller made of NBR

PRESSURE RELIEF VALVE

/ The pressure relief valve at the pump outlet is used to release the pressure in the delivery hose after use. Thus, the hose can be easily and quickly disconnected from the fittings

HOSES

/ Temperature resistant up to 100 °C, threaded hose couplings with high-pressure crimped fittings

BALL VALVES AT THE HOSE ENDS

/ The ball valves at the hose ends are leak-proof and allow the pre-filling of the hoses without air entering into the solar collectors during the filling process

EASY TRANSPORTATION

- / Thanks to a handle on the back of the device it can be transported easily over stairs and other obstacles by using only one hand. The device can be held closely to the body axis and is carried very comfortable
- / The telescopic handle with soft grip is height adjustable from 78 to 110 cm
- / The unit is absolutely leak-proof during horizontal or vertical transportation

FINE FILTER WITH SIGHT GLASS

- / The filter at the pump inlet filters solder or weld residues
- / The sight glass enables the detection of air bubbles in the heat transfer fluid

RETURN HOSE CONNECTION IN 90° ANGLE

- / Return hose connection in 90° angle avoids bending of the hose
- / Secured caps



■ MADE
■ IN
■ GERMANY



SOLARCHECK MOBILCENTER PLUS UNISTAR

MULTI-FUNCTIONAL BALL VALVE AT PUMP INLET

- / The Plus version is equipped with a three-way ball valve at the pump inlet, which makes it possible to draw in from external containers and thus to fill the Solarcheck Mobilcenter or to fill the system directly. This means that you do not have to transfer liquid into the canister first which is particularly inconvenient with larger volumes. Also, the flushing of the pump is facilitated

SOLARCHECK MOBILCENTER P80 FOR FIRST FILLINGS

The P80 model is the low-cost entry-level model of the Solarcheck Mobilcenter series.

PUMP P80

/ Robust centrifugal pump made of cast iron with an impeller made of brass

HOSES

/ Temperature resistant up to 60 °C, threaded hose couplings with high-pressure crimped fittings

FAMILIAR SETUP

/ As with the Solarcheck Mobilcenter Unistar, these models also have a height-adjustable telescopic handle and all-terrain pneumatic tires to ensure easy transport



SOLARCHECK MOBILCENTER P90

With a maximum pressure of 8 bar this model is suited for the filling of larger solar plants or plants on high-rise buildings and extensive industrial complexes.

| SOLARCHECK MOBILCENTER | UNISTAR 2000-A | UNISTAR 2000-A PLUS | P80 | P90 |
|-------------------------|---|---------------------|-----------------------------------|--------------|
| Pump | Dry self-priming flexible impeller pump with glycol resistant impeller | | Dry self-priming centrifugal pump | |
| Flow rate max. | 30 l/min* | | 30 l/min | 30 l/min |
| Discharge pressure max. | 5 bar | | 6 bar | 8 bar |
| Media temperature max. | 90° C | | 60° C | 80° C |
| Motor | 230 V, 50 Hz with overheat protection | | | |
| Hoses | ½" EPDM hose with ball valves | | ½" PVC fabric hose | ¾" EPDM hose |
| Filter | Fine filter with sight glass | | | |
| Container | UV-stabilized PE canister with large closable filling opening, filling level scale and shut-off valve at the outlet | | | |
| Container size | 30 l | | | |
| Pressure relief valve | ✓ | ✗ | ✗ | ✗ |
| Ball valve (pump inlet) | ✗ | ✓ | ✗ | ✗ |
| Cart | Welded, stable moulded tube frame with telescopic handle and soft grip | | | |
| Dimensions (H x W x D) | 76-100-110 x 49 x 51 cm Packaging dimensions: 80 x 40 x 50 cm | | | |
| Weight | 21 kg | | 22 kg | 22 kg |
| Art. No. | 134052V11 | 134052V11PLUS | 134053V11 | 134060-V11 |

For a higher flow rate (60 or 90 liters per minute) use our FLUSH PRO.

HEAT TRANSFER FLUID CHANGED FAST AND EASILY

The ready for connection FLUSH PRO is equipped with a powerful pump and a ball valve to connect external containers. Ball valves at the pump inlet and at the outlet make the change of the flow directions as well as the connection to an external container possible.

The heart of the filling station is the dry self-priming flexible impeller pump. By creating a high displacement volume, air inclusions are removed from the collector's circuit. The flow rate is 60 to 90 liters per minute, depending on the version chosen.

FLUSH PRO is a handy filling unit for professionals. Besides the filling of sizeable units with multiple solar collectors, geothermal collectors, geothermal systems, as well as heating plants, these systems can also be flushed and ventilated by using the FLUSH PRO made by ZUWA.

EQUIPMENT

- / Dry self-priming flexible impeller pump with glycol resistant impeller
- / 2 x 3 m flow and return hoses
- / 2 multi-functional valves on suction and discharge side
- / Trolley made of welded, sturdy compact chassis with telescopic extension and easily movable pneumatic tires
- / 2 m cable with plug
- / Crimped hose fitting
- / UV-stabilized PE canister with large closable filling opening, filling level scale and shut-off valve at the outlet

The FLUSH PRO Mobilcenter is equipped with a particularly powerful pump to quickly pump large quantities of heat transfer fluid. With the two multifunctional valves, external containers and tanks, like an IBC, can be connected to the FLUSH PRO and the operation can be proceeded without interruptions due to reconnecting hoses.



FEATURES AND PROCEDURE

1 + 2 MIXING OF HEAT TRANSFER LIQUID

Water and concentrate are drawn from two different containers and the mixture is pumped back into them.

1 + 3 + 4 FILLING AND FLUSHING OF THE SYSTEM

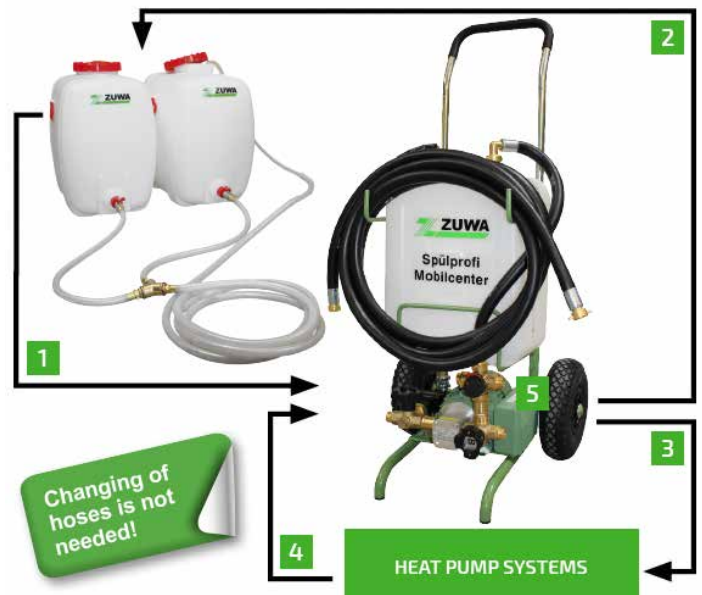
Flow line: The heat transfer fluid is pumped from the external containers directly into the system, which is very useful when larger amounts are being used.

Return: From heat pump system directly into internal tank.

3 + 4 + 5 FLUSHING AND VENTING OF THE SYSTEM

After filling, switch to internal circuit between canister and system for venting.

Optional flow direction reversal can be used!



FLUSH PRO 90/55

The model 90/55 combines a higher capacity output with a larger tank and is therefore ideal for filling larger solar systems. Transparent PVC fabric hoses and an optional filter with sight glass provide you with an overview on air pockets and the degree of contamination of the liquid in the tank.

- / Flow rate: max. 90 l/min
- / 55 liter container
- / With optional filter or filter bag (see accessories)



FLUSH PRO 90/120

The FLUSH PRO 90/120 is used for the precise filling of large geothermal plants as well as central heating systems when very large quantities of liquids have to be transported.

- /
- / Flow rate: max. 90 l/min
- / Container: 120 liters
- / With optional filter or filter bag (see accessories)

| FLUSH PRO | MC 60/30 | MC 90/55 | MC 90/120 |
|-----------------------------|---|-----------------------------------|------------------|
| Pump | Dry self-priming flexible impeller pump with glycol resistant impeller | | |
| Flow rate max. | 60 l/min | 90 l/min | |
| Discharge pressure max. | 5 bar | | |
| Fluid temperature | 90° C | 60° C | |
| Motor | 230 V, 50 Hz with overheat protection | | |
| Hoses | EPDM hose | PVC fabric hose | |
| Filter | Fine filter with sight glass | Optional | |
| Container | UV-stabilized PE canister with large closable filling opening, filling level scale and shut-off valve at the outlet | | |
| Container size | 30 l | 55 l | 120 l |
| Pressure relief valve | ✓ | ✓ | ✓ |
| Ball valve (inlet / outlet) | ✓ | ✓ | ✓ |
| Cart | Welded, stable moulded tube frame with telescopic handle and soft grip | Welded, stable moulded tube frame | |
| Dimensions (H x W x D) | 76-100-110 x 49 x 51 cm | 105 x 49 x 64 cm | 83 x 70 x 140 cm |
| Weight | 25 kg | 39 kg | 47 kg |
| Art. No. | 134058V11 | 1340581 | 1340582 |

MOBILE SERVICE CENTER

Mobile service center unit for extracting and refilling clean or contaminated media. Easy to use - no handling of heavy canisters, no spilling of liquid!

EQUIPMENT

- / Efficient self-priming pump - tolerates abrasives in fluid
- / 3 m suction and pressure hose each (KOMPAKT version: 2 m)
- / 4 Suction probes for dipstick openings or hard-to-reach filler necks
- / Removable support of probes with leak-tight bottom to collect rest of fluids from the probes
- / Two multi-functional ball valves
- / Comfortable transportation on trolley with canister and pneumatic wheels
- / Optional: Flow meter and nozzle

APPLICATION

- / Removal of used oil from motors, gear boxes and hydraulic systems
- / Removal of cooling lubricants and drilling water from CNC-machines
- / Routine maintenance of machinery

FUNCTION

Additionally to the external suction and discharge hoses the pump has two connections to the tank. By using the multi-functional ball valves A and B, the filling or emptying of the tank is directed. Used oil and other fluids are drawn into the tank of the service center. It is easy to drive to a collection drum to dispose of the fluids by pumping them into the drum. Likewise, the service center can be used to transport fluids to the points of use in order to pump them there into a motor or likewise machine.



Servicecenter Mobile



Servicecenter Mobile KOMPAKT

| SERVICE CENTER | KOMPAKT | | MOBILE | |
|-------------------------|--|--|--|----------|
| Pump | Dry self-priming flexible impeller pump with glycol resistant impeller | | | |
| Flow rate max. | 15 l/min | | 15 l/min | 30 l/min |
| Discharge pressure max. | 3 bar | | | |
| Motor | 230 V, 50 Hz with overheat protection | | | |
| Hoses | 3m 1/2" Filling hose 2m 1/2" Suction hose | | 3m 1/2" Filling hose 3m 1/2" Suction hose | |
| Suction probes | Shut-off and probe set | | Suction hose with probe adapter | |
| Container | UV-stabilized PE canister with large closable filling opening, filling level scale, and shut-off valve at the outlet | | | |
| Container size | 30 l | | 55 l | |
| Ball valve | ✓ | | ✓ | ✓ |
| Cart | Welded, stable molded tube frame with telescopic handle and soft grip | | Welded, stable molded tube frame | |
| Maße (H x B x T) | 76-100-110 x 49 x 51 cm | | 105 x 49 x 64 cm | |
| Weight | 25 kg | | 53 kg | 54 kg |
| Art. Nr. | 1320661 | | 132064 | 132065 |

All hoses are also available in other lengths on request.

In different industrial applications many different types of media are used. Among them are process water, glycol-based coolants, and cooling lubricants. The efficiency of the machinery in question might deteriorate over the years, which often happens due to normal ageing processes, or, and this is mostly reversible, because of deposits or particles which block lines, valves and such. Sedimentary deposits, accumulation of mud and corrosion can block the systems up to when they stop working completely. By making sure the fluids used are filtered and the relevant machinery is flushed and cleaned, regularly disruptive downtimes can be avoided.

THE CLEANING MOBILCENTER IS PERFECTLY SUITED FOR FILTERING AND CLEANING IN THE INDUSTRIAL SECTOR.

APPLICATIONS:

- / Draining
- / Filling
- / Disinfecting
- / Cleaning
- / Refurbishment
- / Flushing

REMOVING:

- / Sedimentary deposits
- / Biofilm
- / Corrosive deposits
- / Microorganisms
- / Sludge

EQUIPMENT

- / Impeller pump COMBISTAR 2000-B
- / NBR impeller*
- / tank with max. 55 liters capacity***
- / 2 x 3m PVC fabric hose



Complete filter



Dismantled filter



USAGE

PIPE SYSTEMS:

- / Heating systems
- / Cooling systems
- / Industrial plants

HEAT EXCHANGERS:

- / Warm water systems
- / Cars and trucks
- / Chilled water unit

INDUSTRIAL

- / Process water circuit
- / Fire extinguishing systems
- / Sprinkler systems
- / Clean tanks

MECHANICAL ENGINEERING:

- / CNC systems
- / Grinding machines
- / Lathes
- / Milling machines
- / Bandsaws

| MODELL | MOTOR | | | RPM | PRESSURE MAX. | CAPACITY MAX. | FILTER** 75 µm | ART. NO. |
|----------------------|-------|-----|-----|----------|---------------|---------------|---|----------|
| | KW | V | A | | | | | |
| Cleaning Mobilcenter | 0,55 | 230 | 4,3 | 2800 rpm | 5 bar | 60 l/min | Cartridge filter housing Stainless steel | 1340584 |
| Cleaning Mobilcenter | 0,55 | 230 | 3,2 | 1400 rpm | 4 bar | 30 l/min | Cartridge filter housing Stainless steel | 1340585 |

Dimensions: W 47 cm x H 105 cm x D 66 cm | Weight: 40 kg | Recommended accessories: Dry-running protection for impeller pump.

* Different impeller materials available (e.g.: Viton® or EPDM).

** Various filter alternatives available on request.

*** Larger tanks available on request.

FLUSHING STATION FOR EFFECTIVE DESCALING OF HEAT EXCHANGERS AND HOT WATER TANKS

Lime deposits of one millimeter thickness already reduce the efficiency of a heat exchanger by up to 10 %. Transmission losses of up to 40 % are possible with thicker coatings. In regions with calcareous water, heat exchangers and hot water tanks must therefore be decalcified at regular intervals.

The Descal Mobilcenter is a special tool for the HVAC professional for rinsing hot water tanks and heat exchangers with descaling solution. The device has been tested with the following media and approved for this purpose (max. media temperature: 40°C)."

APPROVED MEDIA

- / Manufacturer SANIT: KalkLöser and CitroPlus KalkLöser
- / Manufacturer SOTIN: Descaler 212 and 212 TW
- / Manufacturer GRÜNBECK: GENO®-clean M and GENO®-clean CP
- / Manufacturer Schweitzer-Chemie: BEIZER 630
- / (in each case in the dosage specified by the manufacturer)

FURTHER DESCALING AGENTS ON REQUEST

EQUIPMENT

- / Dry self-priming impeller pump with stainless steel housing
- / Acid resistant connections
- / Conveniently movable trolley with large pneumatic wheels
- / Sturdy cart with pneumatic tyres
- / Replaceable plastic canister

FUNCTION

The descaling agent is pumped in a circuit between the heat exchangers and the Descal Mobilcenter. Through the action of the acid at a standstill the lime deposits are dissolved. The cycle of rinsing and allowing the acid to act is repeated until the liquid is free of lime residues - visible through the transparent hoses and at the filter cup.

EFFECTIVE

- / High pressure reliably transports the acid to all deposits.
- / High discharge volume enables a faster rinsing out of the dissolved lime

CLEAN

- / The pressure relief valve at the pump outlet prevents the acid from spraying out when dismantling the pressure hose after use.
- / The pump drains itself almost completely at the end of operation and can be easily opened for cleaning
- / The ball valve allows the pump to be flushed while descaling agent remains in the canister, as well as the suction of liquid from external containers



DESCALE MOBILCENTER PLUS

The PLUS variant is recommended for professional, frequent use. The equipment with additional functions avoids increased wear and tear, accelerates and facilitates the execution of the rinsing processes.

- / The bypass with return flow into the tank enables the rinsing with lower flow rates
- / Additional sampling valve for sampling during operation (e.g. for a pH value measurement)
- / Possibility to connect an overflow box to prevent the tank overflowing.



DESCAL MOBILCENTER 60/55

With a maximum flow rate of 60 l/min and a tank volume of 55 liters, the model 60/55 is suitable for use in larger circuits, and for flushing large hot water tanks and heat exchangers.

- / Flow rate: 60 l/min
- / Container: 55 liters

| DESCAL MOBILCENTER | COMPACT | PLUS | 60/55 |
|-------------------------|---|---|------------------------------|
| Pump | Dry self-priming flexible impeller pump with glycol resistant impeller: | | |
| Flow rate max. | 30 l/min | | 60 l/min |
| Discharge pressure max. | 5 bar | | |
| Media temperature max. | 40° C | | |
| Motor | 230 V, 50 Hz with overheat protection | | |
| Hoses | PVC fabric hose | | |
| Filter | Fine filter with sight glass | x | Fine filter with sight glass |
| Container | UV-stabilized PE canister with large closable filling opening, filling level scale and shut-off valve at the outlet | | |
| Container size | 30 l | | 55 l |
| Pressure relief valve | ✓ | ✓ | ✓ |
| Ball valve (pump inlet) | Ball valve at the inlet | Ball valve at the inlet, bypass valve at the outlet | Ball valve at the inlet |
| Cart | Welded, robust tube frame, telescopic handles with soft grip | | Welded, robust tube frame |
| Dimensions (H x W x D) | 76-100-110 x 49 x 51 cm | | 105 x 49 x 64 cm |
| Weight | 23 kg | 27 kg | 42 kg |
| Art. No. | 1340591V11A* 1340591V-V11A** | 1340603-V11A* 1340602-V11A** | 13405955A* 13405955V-A** |

*Suitable for media from Sanit

**Suitable for media from Sotin, Grünbeck and Schweitzer Chemie

FLEXIBLE IMPELLER PUMPS

SOLAR FILLING PUMP WITH HANDLE AND FILTER

The solar filling pump with carrying handle is a small, mobile and inexpensive solution for filling and flushing solar systems.

EQUIPMENT

- / Dry self-priming impeller pump UNISTAR 2000-A or centrifugal pump P80
- / Carrier with rubber buffers
- / Filter with sight glass
- / Pressure relief valve at pump outlet (UNISTAR 2000-A only)

With UNISTAR 2000-A
With P80

Art. No.: 110120M-SOL
Art. No.: 165010-SOL



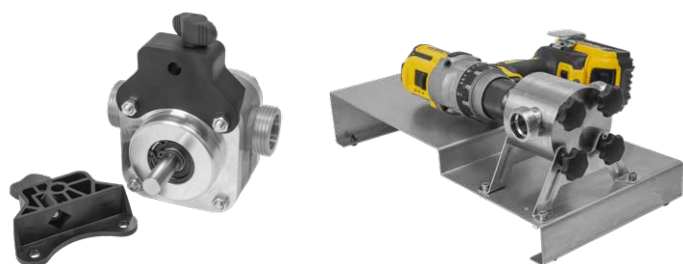
PUMPS FOR DRILLING MACHINES

The drill-driven flexible impeller pumps are favored for the occasional use. In combination with a screwdriver or drill, it is immediately ready for use and impresses with its long service life.

It is dry self-priming and works according to the same principle as a conventional water pump. By assembling a drill or screwdriver the motor is substituted. The pump's motor shaft fits into the drill chuck of all conventional drills and screwdrivers.

ADVANTAGES

- / Dry self-priming from a depth of up to three meters without the need to pre-fill the pump
- / The flexible impeller also transfers fluids containing particles
- / The pump housings made of aluminum / stainless steel guarantee long service life
- / The shaft is supported by high quality ball bearings



| DRILL-DRIVEN PUMP | TYPE A | TYPE B |
|-------------------------|----------|----------|
| Flow rate max. | 30 l/min | 60 l/min |
| Discharge pressure max. | 4 bar | 4 bar |
| Connections | 3/4" | 1" |
| Minimum drive power | 500W | 700W |

MIXING TANKS FOR BRINE

Mixing of large quantities of heat transfer medium (brine) from concentrate and water directly and conveniently at the place of use.

EQUIPMENT

- / 2 tanks with stopcocks, each 150 liters capacity
- / Hose branching
- / 6 m suction hose ¾"

FUNCTION

The containers are connected to the two multifunctional taps of the unit. The pump mixes the heat transfer fluid and then transports the medium directly from the mixing tanks into the system. Filling large volumes is faster from the external canisters than from the smaller canister of the device.

Art. No.: 105012



FILTER BAG AND LID

Use the disposable filter bags for very contaminated heat transfer fluid or sludgy heating water. They supplement the filter at the pump inlet of the ZUWA flushing stations and prevent the filter screen from being clogged. (70 µm for coarser dirt and 40 µm for finer dirt).

SIMPLE:

Hang the filter bag on the canister opening and fasten it with the screw cap.

SUITABLE FOR THE FOLLOWING DEVICES

- / Solar filling stations Solarcheck Mobilcenter
- / Universal filling and flush stations FLUSH PRO
- / Descaling station Descal Mobilcenter

SCREW CAP WITH

- / Brass or stainless steel fitting
- / Return connection
- / Pressure compensation

FILTER BAGS FOR MOBILCENTER

- / Solarcheck and Descal Mobilcenter, FLUSH PRO MC60/30
 - 10 pieces (70 µm) **Art. No.:132001SET**
 - 10 pieces (40 µm) **Art. No.:132002SET**
 - 10 pieces (each with 70 µm und 40 µm) **Art. No.:132003SET**
- / FLUSH PRO 90/55 and 90/120
 - 10 pieces (70 µm) **Art. No.:132004SET**

SCREW CAP

- / SMC P80, UNISTAR, FLUSH PRO MC 60/30, brass **Art. No.: 805531**
- / SMC P90, brass **Art. No.: 8055311**
- / FLUSH PRO 90/55 and 90/120, brass **Art. No.: 805533**
- / Descal MC, stainless steel **Art. No.: 805532**



ADD-ONS

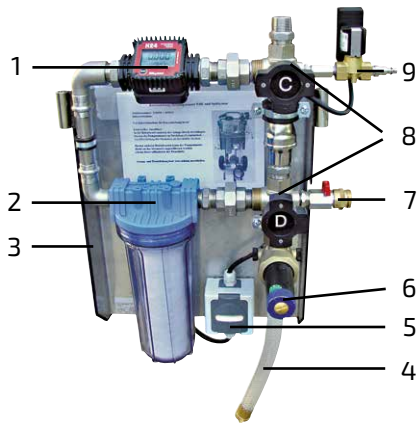
FILLING AND FLUSHING SYSTEM FOR HEATING WATER

Suitable for heating filling according to VDI guideline 2035 (German norm) and ÖNORM H 5195-1 (Austrian norm). The plate-mounted unit can be easily hooked onto the hose bracket of the rinsing station. Disposable filling cartridges or water softeners for water treatment can be connected easily upstream.

Art. No.: 105013

EQUIPMENT

1. Digital flow meter
2. Fine filter 20 µm
3. Stainless steel panel
4. Hose connection to pump
5. IP 44 socket
6. Pressure regulator
7. Connection for disposable filling cartridges or softening devices
8. Multi-functional valves
9. Compressed air connection with timed electromagnetic valve



EXPANSION UNIT - SOLAR

For more function: To use the Descal Mobilcenter also for filling and rinsing of solar systems, the expansion unit Solar is available as an accessory.

EQUIPMENT

- / Replacement canister for heat transfer fluid
- / 2 x 3 m high temperature resistant hose

Art.no.: 1340593V11



FOLDABLE EMERGENCY PAN FOR LIQUIDS

The easy-to-clean PVC pans are excellent for collecting small quantities of liquid, for maintenance, in filling areas, and for degreasing and cleaning of engine components. The pans are also resistant to oil and many chemicals! For transport, the pans can be easily folded and stored compactly. A Velcro fastener is used for practical attachment.

76 x 76 x 12 cm (70 liters)
122 x 122 x 14 cm (207 liters)

Art.no.: 120836
Art.no.: 120837



REVERSE FLOW VALVE SOLARCHECK MOBILCENTER, FLUSH PRO

MORE EFFECTIVE FLUSHING

This unit allows the user to regulate the flow and reverse the flow direction of supply and return. This improves the flushing of the device and provides a more effective removal of debris.

CONSISTING OF:

- / 4-way ball valve with L-bore: to change the flow direction
- / Return hose to the tank
- / Media temperature max. 110 °C
- / Weight 1,5 kg

Flow direction reversal FLUSH PRO 60
 Flow direction reversal FLUSH PRO 90
 Flow direction reversal Solarcheck Mobilcenter UNISTAR

Art.no.: 15122501
 Art.no.: 15122502
 Art.no.: 15122503

ALSO SUITABLE FOR RETROFITTING EXISTING DEVICES!

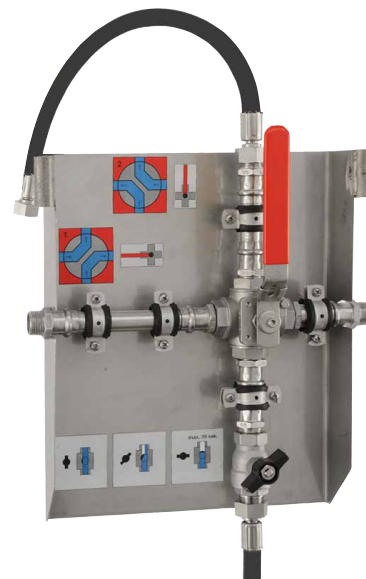
REVERSE FLOW VALVE DESCAL MOBILE CENTER

This unit allows the user to regulate the flow and reverse the flow direction of the supply and return. This improves flushing and ensures more effective removal of deposits.

Without compressed air connection
 With compressed air connection
 Connection hoses for flow direction reversal

Art.no.: 1050131
 Art.no.: 1050131L
 Art.no.: 1050131S

OPTIONAL: COMPRESSED AIR CONNECTION (FLUSHING COMPRESSOR)



OVERFLOW BOX FOR OVERFLOWING DECALCIFERS

The box safely catches overflowing and foaming descaling solution. The curved hose rail allows the liquid to flow into the box in a controlled manner. The agent can then be sucked directly from the container. No danger from transferring or handling the acid.

EQUIPMENT

- / Plastic box
- / 2 m connecting hose
- / Stainless steel fittings

Art.no.: 1340592





ZUWA-Zumpe GmbH
Franz-Fuchs-Str. 13 - 17
83410 Laufen
Germany
Tel.: +49 (0) 8682 8934-50
E-Mail: export@zuwa.de
Web: www.zuwa.de/en

