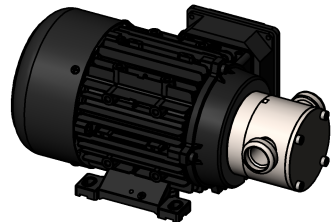
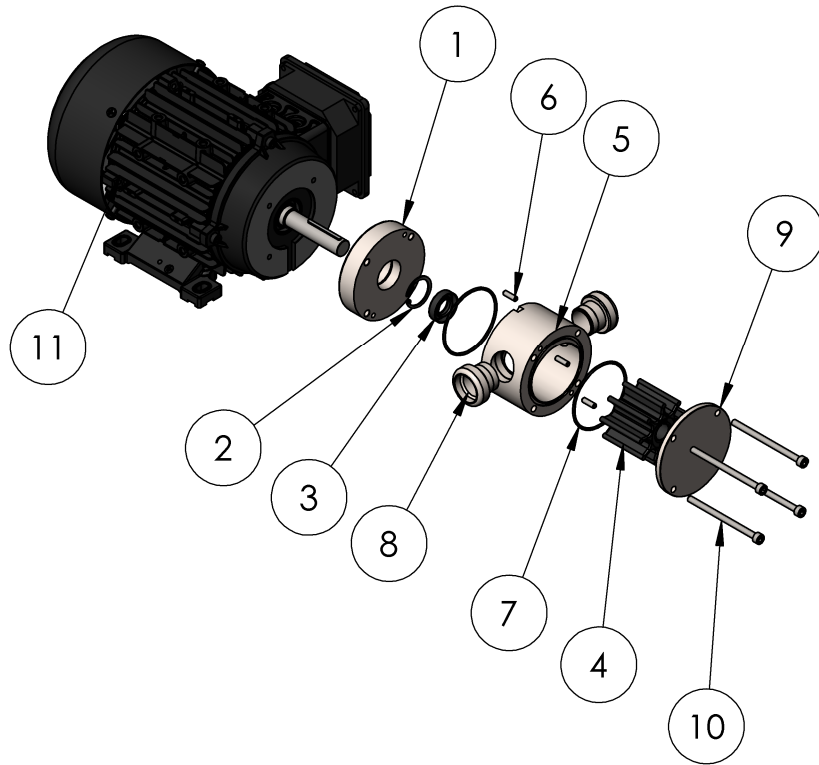


Parts list Nirostar 2000-B V4.1



POS-NR.	Part/Designation	Code	Number
1	Rear cover NIROSTAR PF	11012703	1
2	Locking ring I 26x1,2 steel	70167	1
3	Rotary shaft seal 14x26x7 NBR	80537	1
3	Rotary shaft seal 14x26x7 EPDM	80540	1
3	Rotary shaft seal 14x26x7 Viton	80538	1
4	Impeller Typ B NBR polyamid bush	11012912	1
4	Impeller Typ B NBR stainless steel bush	11012911	1
4	Impeller Typ B CR stainless steel bush	11012511	1
4	Impeller Typ B EPDM stainless steel bush	11012411	1
4	Impeller Typ B EPDM polyamid bush	11012413	1
4	Impeller SET Typ A Viton stainless steel bush	11012801SET	1
4	Impeller SET Typ A Viton polyamid bush	11012810SET	1
4	Impeller SET Typ A TPU polyamid bush	11012301SET	1
5	Housing Nirostar B	11013901	1
6	Dowel 4x12 stainless steel	70268	4
7	O-Ring 56-2 NBR	80003	2
7	O-Ring 56-2 EPDM	80151	2
7	O-Ring 56-2 Viton	80150	2
8	Threaded nipple Combi/Nirostar 1Zoll	11013903	2
9	Front cover NIROSTAR	11014301	1
10	Cylinder head screw with hexagon socket M5x75 A2	70319	4
11	Motor 230 V 0,55 kW 2800 rpm SW	80606MF	1
11	Motor 230 V 0,55 kW 1400 rpm SW	80601	1
11	Motor 400 V 0,55 kW 2800 rpm SW	80602	1
11	Motor 400 V 0,55 kW 1400 rpm SW	80603	1