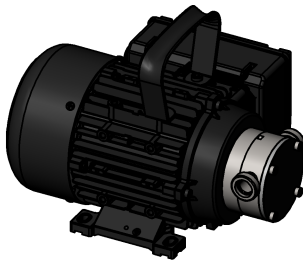
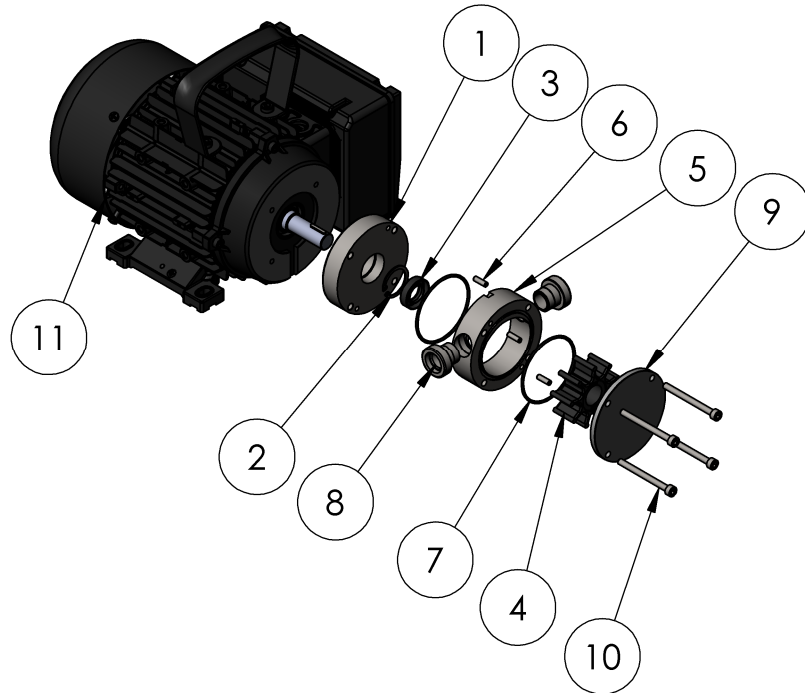


## Parts list Nirostar 2000-A



POS-NR.	Part/Designation	Code	Number
1	Rear cover NIROSTAR PF	11012703	1
2	Locking ring I 26x1,2 steel	70167	1
3	Rotary shaft seal 14x26x7 NBR	80537	1
3	Rotary shaft seal 14x26x7 EPDM	80540	1
3	Rotary shaft seal 14x26x7 Viton	80538	1
4	Impeller Typ A TPU polyamid bush	11012301	1
4	Impeller Typ A NBR polyamid bush	11012909	1
4	Impeller Typ A NBR stainless steel bush	11012908	1
4	Impeller Typ A CR stainless steel bush	11012505	1
4	Impeller Typ A EPDM stainless steel bush	11012401	1
4	Impeller Typ A EPDM polyamid bush	11012402	1
4	Impeller Typ A Viton stainless steel bush	11012801	1
4	Impeller Typ A Viton polyamid bush	11012810	1
5	Housing Nirostar-A	11012601	1
6	Dowel 4x12 stainless steel	70268	4
7	O-Ring 56-2 NBR	80003	2
7	O-Ring 56-2 EPDM	80151	2
7	O-Ring 56-2 Viton	80150	2
8	Threaded nipple Combi/Nirostar A	11012604	2
9	Front cover NIROSTAR	11014301	1
10	Hexagon head screw M5x55	70324	4
11	Motor 230V 0,37KW 2800 rpm	80607MF	1
11	Motor 230V 0,37KW 1400 rpm	80600	1
11	Motor 400V 0,37KW 2800 rpm	80604	1
11	Motor 400V 0,37KW 1400 rpm	80605	1